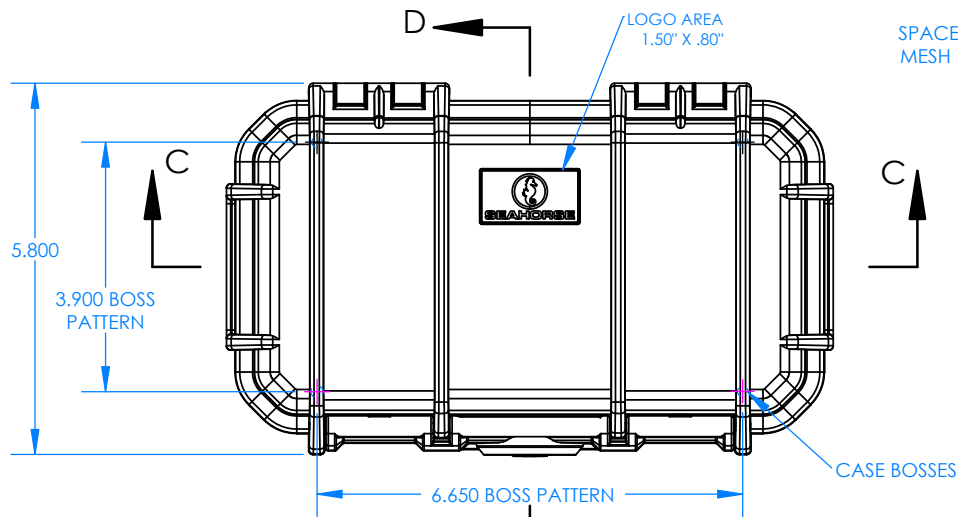
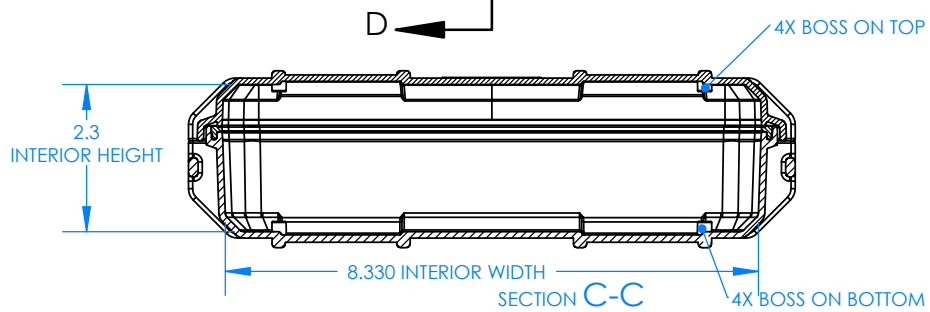
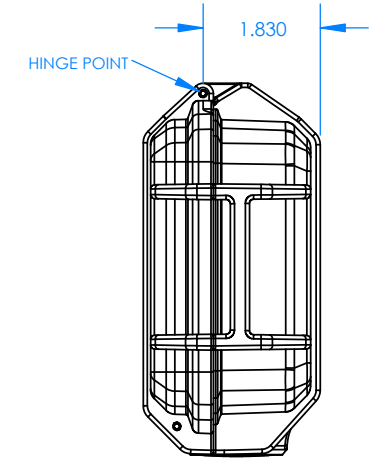
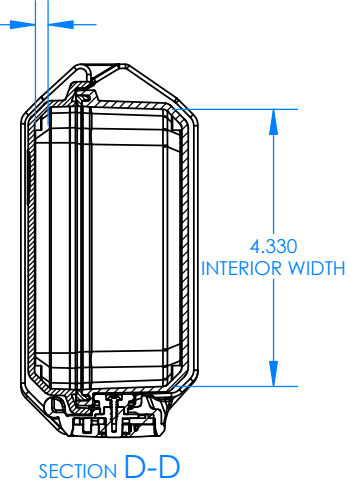


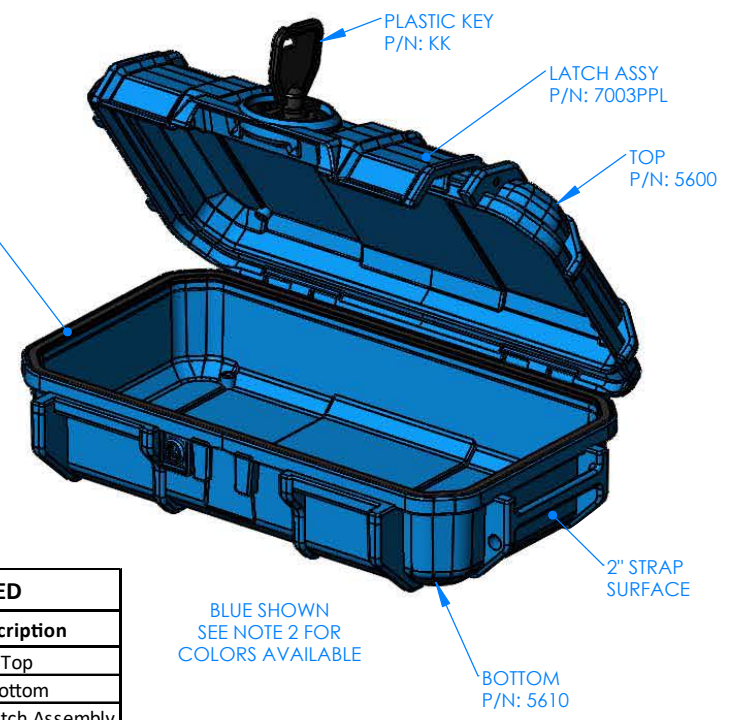
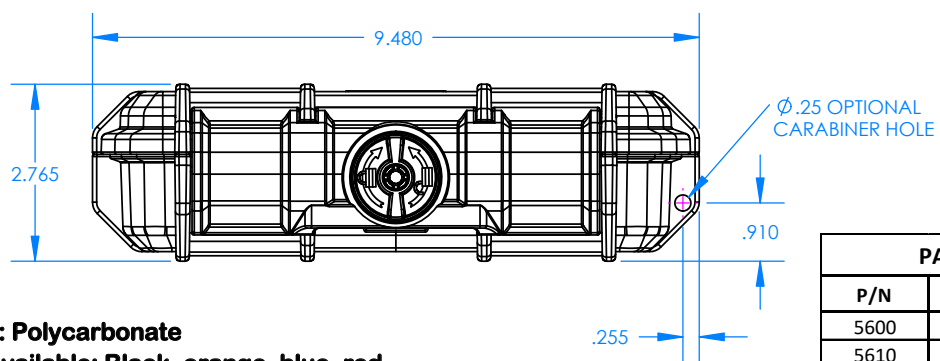
560EM Micro Case



SPACE BETWEEN MESH AND TOP



REMOVABLE PERIMETR SEAL P/N: 56PS
SEE SHEET 2 FOR OPTIONAL SEAL LINNER P/N: 56SL



BLUE SHOWN
SEE NOTE 2 FOR
COLORS AVAILABLE

NOTES:

- 1) Material: Polycarbonate
- 2) Colors available: Black, orange, blue, red, green, yellow.
- 3) Maximum usable inside dimensions are: 8.33" X 4.33" X 2.30"

PARTS INCLUDED		
P/N	Qty.	Description
5600	1	Top
5610	1	Bottom
7003PPL	2	Plastic Latch Assembly
8003	1	O-ring
56PS	1	Perimeter Seal
KK	1	Plastic Key Set